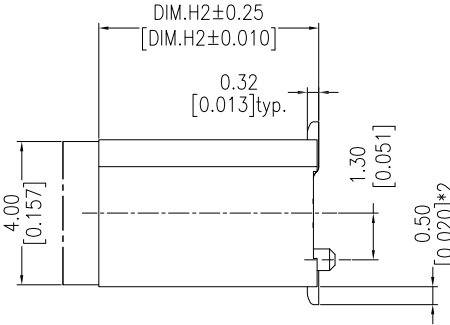
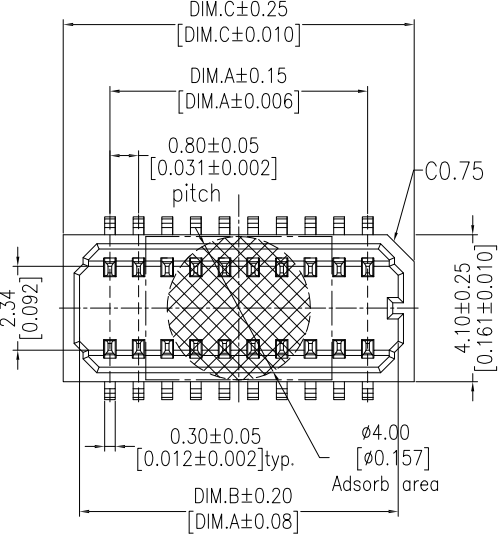
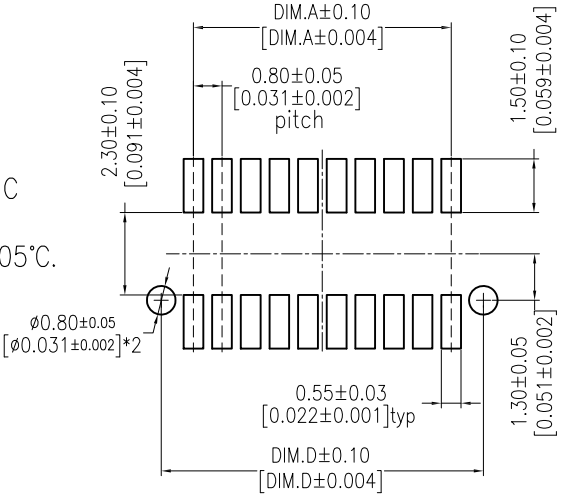
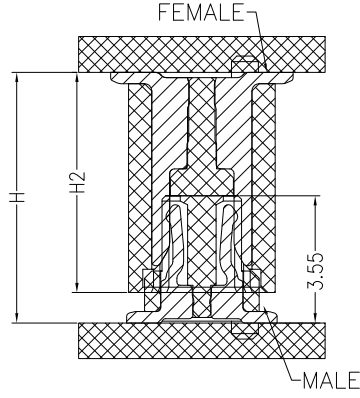


NOTES:  
 Contact Material: Phosphor Bronze  
 Housing Material: PA9T UL94V-0  
 Current Rating: 0.5A  
 Contact Resistance: 30mΩ Max.  
 Withstanding Voltage: 500V AC/DC  
 Insulation Resistance: 100MΩ Min.  
 Operating Temperature: -20°C~+105°C.

Recommended P. C. B Layout (Top Side)  
 (PCB BOARD TOLERANCE ±0.05)



RoHS Compliant



	ASS Y HEIGHT(H)	FEMALE(H2)	MALE(H1)
1	4.50	3.65	3.55
2	5.00	4.15	
3	5.65	4.70	
4	6.00	5.15	
5	6.50	5.65	
6	7.00	6.15	

17.00	17.80	16.90	15.20	40
16.20	17.00	16.10	14.40	38
15.40	16.20	15.30	13.60	36
14.60	15.40	14.50	12.80	34
13.80	14.60	13.70	12.00	32
13.00	13.80	12.90	11.20	30
12.20	13.00	12.10	10.40	28
11.40	12.20	11.30	9.60	26
10.60	11.40	10.50	8.80	24
9.80	10.60	9.70	8.00	22
9.00	9.80	8.90	7.20	20
8.20	9.00	8.10	6.40	18
7.40	8.20	7.30	5.60	16
6.60	7.40	6.50	4.80	14
5.80	6.60	5.70	4.00	12
5.00	5.80	4.90	3.20	10
DIM.D	DIM.C	DIM.B	DIM.A	PIN NO.

Ordering Information

BS08- 2XX F X 2 X 1-131

0.8Ph Board to Board  
 Single Slot  
 2 Rows  
 XX:Per Row Pin  
 F:FEMALE  
 H2 Type(1~6)  
 Housing Material  
 2:PA 9T  
 Contact Plated  
 1:Gold 3u"  
 2:Gold 5u"

REV.	REVISION RECORD	DATE	General Tolerance	
A	Original	03/06/20*	LINEAR 0.0 ±0.25	ANGLE ±3°
			0.00 ±0.20	
			UNIT: mm	
			A4	NAME
			APPROVED	KENNY
			DESIGNER	BRUCE
			DRAWN	WAYFON

**ARIBA**  
 TECHNOLOGY CO., LTD.

TITLE: 0.8mm Board to Board Female SMT Vertical

DWG.NO: BS082XXFX2X1-131 REV. A

SCALE 1 : 1 SHEET 1 OF 1